

MSP6.5M90127ST | 90MM 6.5m Stepped Pole



The stepped poles have a smaller top section and larger bottom section.

Outside Diameter: 90mm/127mm – Length 6.5m.

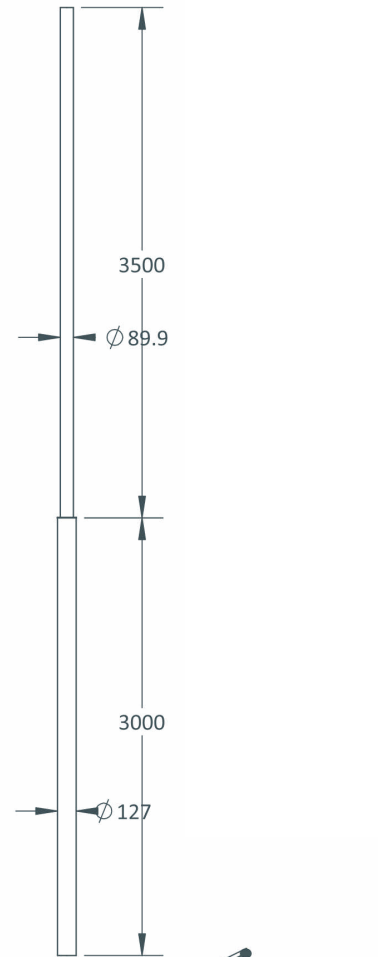
The stepped pole can be buried directly into the ground and concreted in place.

Please note a minimum of 1m should be in the ground and the ground should be highly compacted prior to installation of the top solar structure. All poles are hot-dipped galvanized.

Details

PoleLength	6,50
------------	------

PoleSize	90
----------	----



Installation Options

Standard Pole

Stepped Pole

Base-Plate Pole

Wall Pole

