

MSP5M90127BP | 90MM 5M Galvanized Base-Plate Po



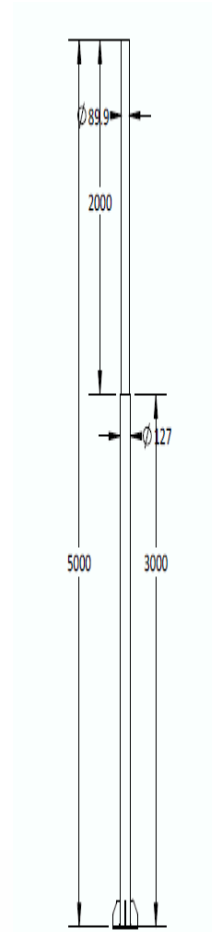
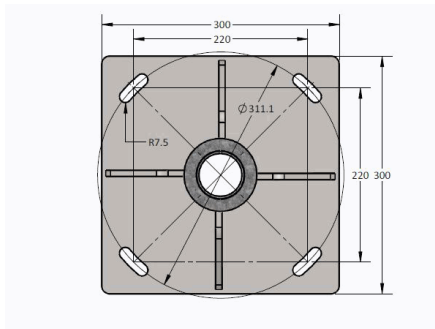
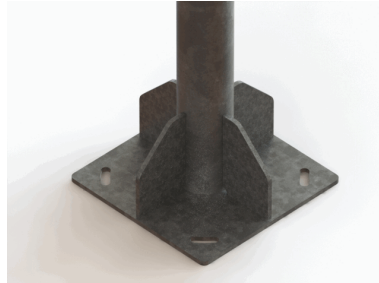
The base-plate pole sits on a square steel baseplate and is supported by 4 vertical gussets. The pole usually starts at a larger diameter than the top part. All poles are listed by their top diameter as that is what is important when mounting one of our solar structures.

All base-plate poles are hot-dipped galvanized.

Base-plate poles require a subterranean bolt cage to be pre-constructed on which to bolt the pole onto.

Details

| | |
|------------|------|
| PoleLength | 5,00 |
| PoleSize | 90 |

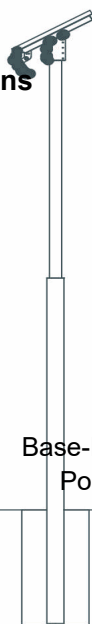


Installation Options

Standard Pole



Stepped Pole



Base-Plate Pole

Wall Pole

